

# 3.00mm(.118") Wire To Wire And Wire To Board Connector



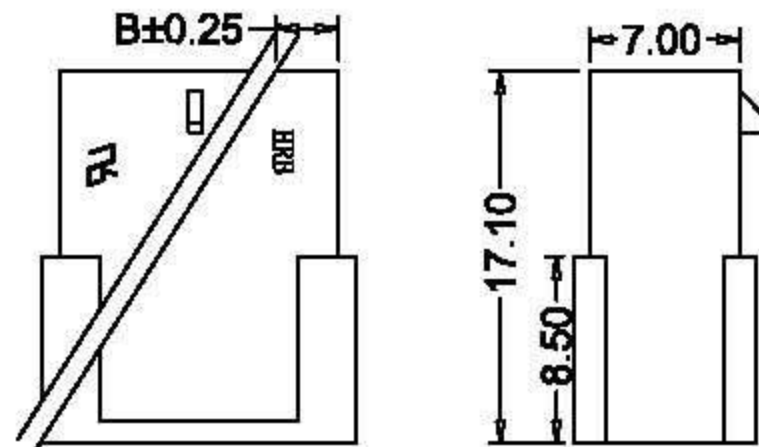
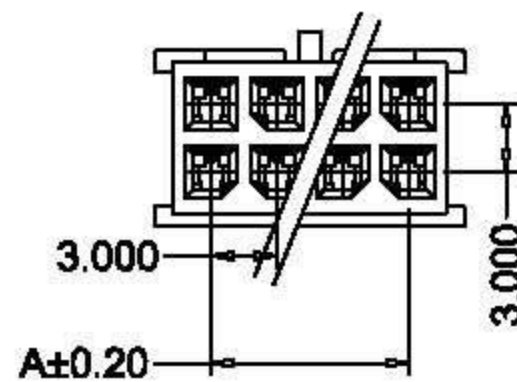
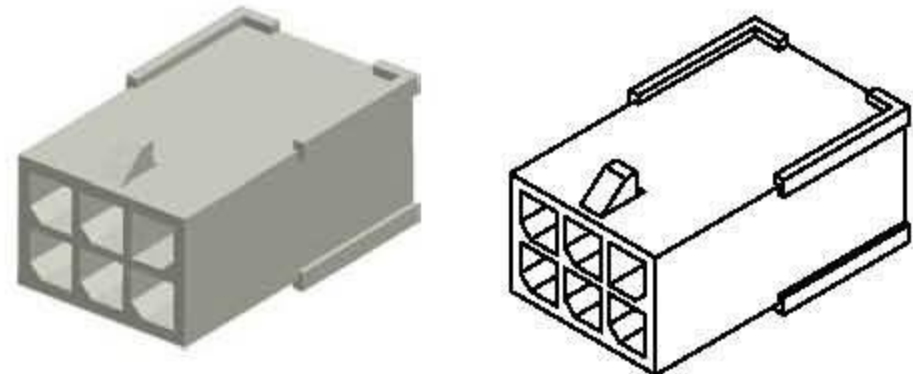
Connector & Terminal

Shenzhen Hongru Connector Co., Ltd

Email: yukyli@hrb-connector.com  
 Tel: 86-0755 2709 6669  
 Fax: 86-0755 2709 2392  
 Skype: haiyuncheng-vivian  
 Mobile(whatsapp): 86-186 8112 3590  
 Website: http://www.hrb-connector.com

## SPECIFICATIONS:

- Current Rating: 5A AC, DC
- Voltage Rating: 250V AC, DC
- Operating Temperature: V2: -25°C ~ +85°C  
 V0: -40°C ~ +130°C
- Contact Resistance: 10mΩ max.
- Insulation Resistance: 1000MΩ Min.
- Withstanding Voltage: 1500V AC/minute
- Material: Nylon66 UL94V-2/UL94V-0
- File No: E304945
- Terminal In Housing Retention Force Requirement: 2.5kg (Min.)



## Ordering Information And Dimensions

Part NO.		Circuits	Dimensions		Part NO.		Circuits	Dimensions	
TYP UL94V-2	TYP UL94V-0		Dim:A	Dim:B	TYP UL94V-2	TYP UL94V-0		Dim:A	Dim:B
P3020-2x1-N-C	P3020-2x1-W-C	2	—	3.85	P3020-2x7-N-C	P3020-2x7-W-C	14	18.00	21.85
P3020-2x2-N-C	P3020-2x2-W-C	4	3.00	6.85	P3020-2x8-N-C	P3020-2x8-W-C	16	21.00	24.85
P3020-2x3-N-C	P3020-2x3-W-C	6	6.00	9.85	P3020-2x9-N-C	P3020-2x9-W-C	18	24.00	27.85
P3020-2x4-N-C	P3020-2x4-W-C	8	9.00	12.85	P3020-2x10-N-C	P3020-2x10-W-C	20	27.00	30.85
P3020-2x5-N-C	P3020-2x5-W-C	10	12.00	15.85	P3020-2x11-N-C	P3020-2x11-W-C	22	30.00	33.85
P3020-2x6-N-C	P3020-2x6-W-C	12	15.00	18.85	P3020-2x12-N-C	P3020-2x12-W-C	24	33.00	36.85

