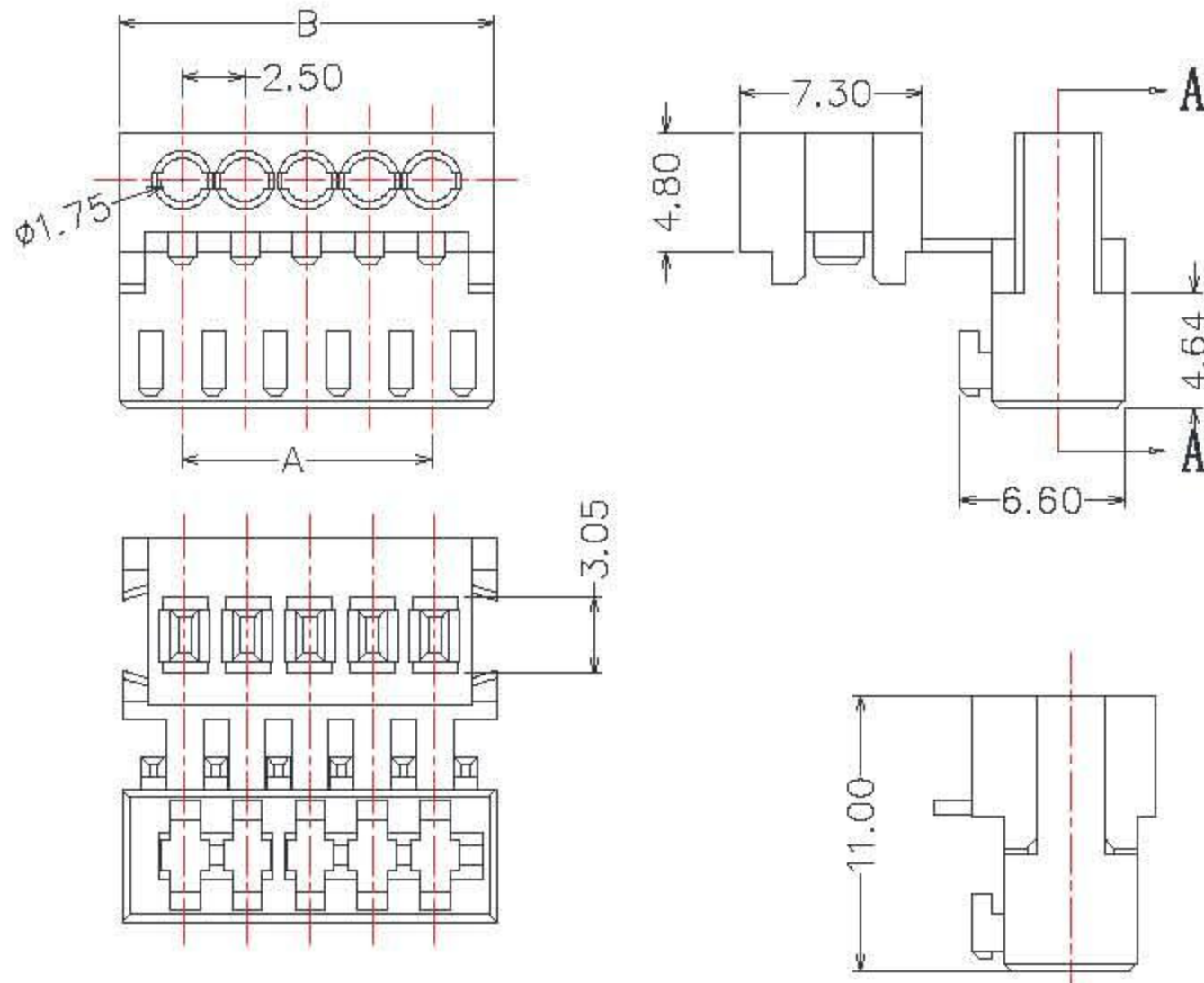
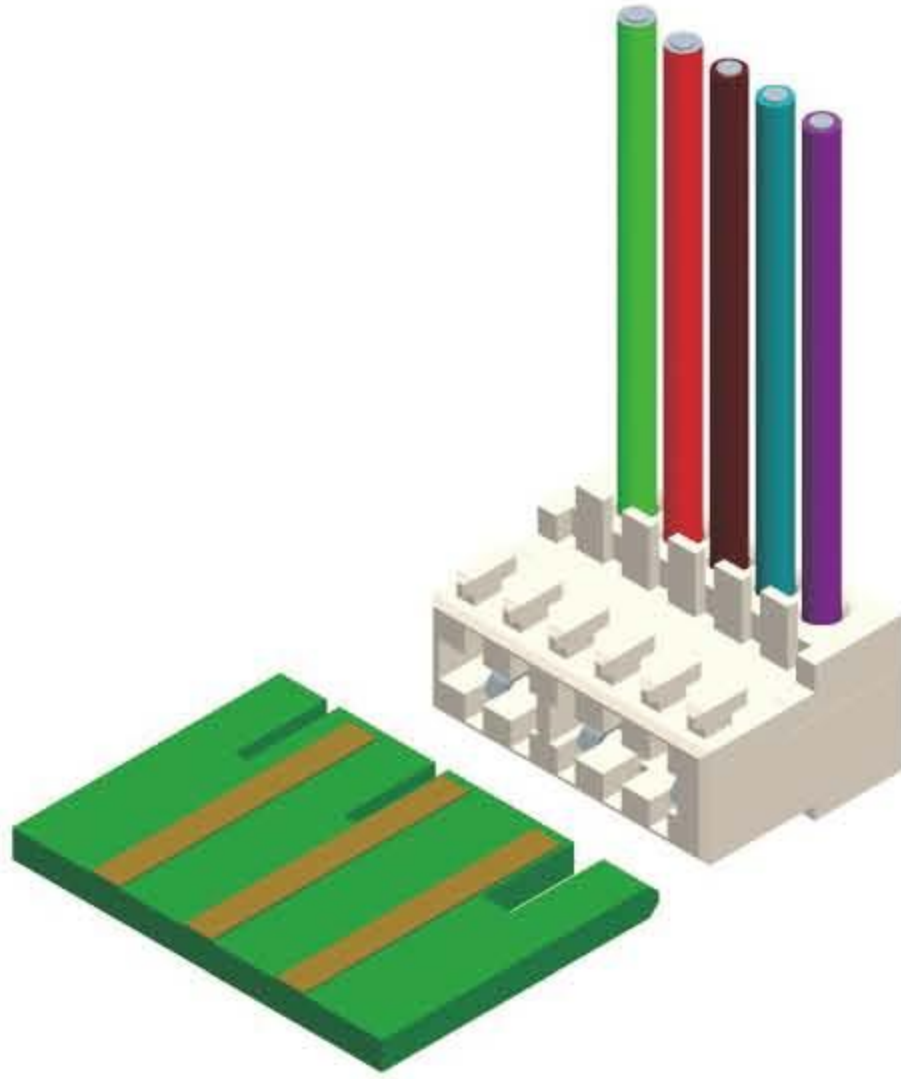




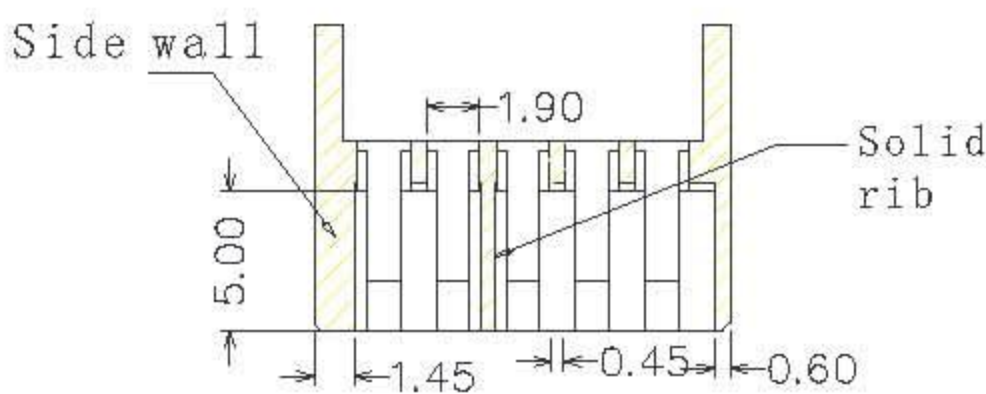
M7285

SPECIFICATION

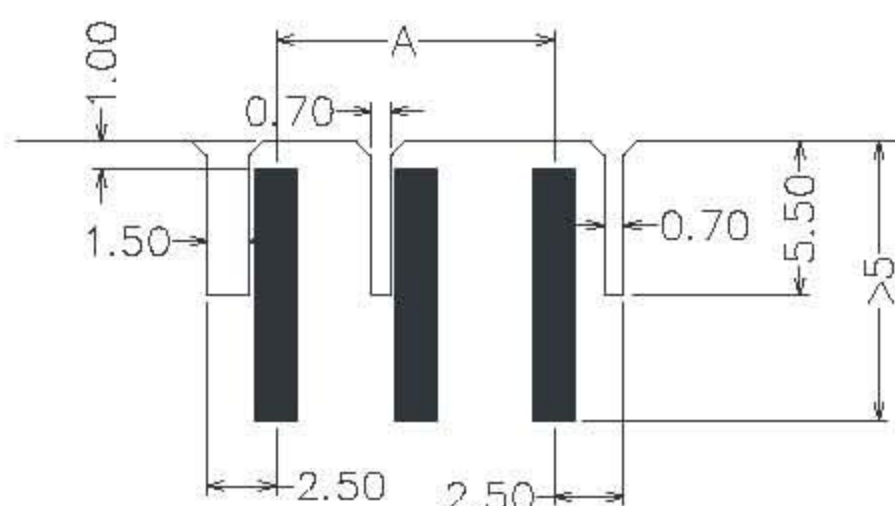
Current rating: 3AAC, DC
 Voltage rating: 32VAC, DC
 Operating Temperature: -40°C--+120°C
 Contact Resistance: 10mΩ max.
 Insulation resistance: 1000MΩ min.
 Withstanding voltage: 1400V AC/minute
 Material: Housing: Nylon66 UL94V-0
 Terminal: Phosphor bronze, Tin-plated
 Wire range: AWG 24 to 22
 GWT: 750°C IEC-60335-1



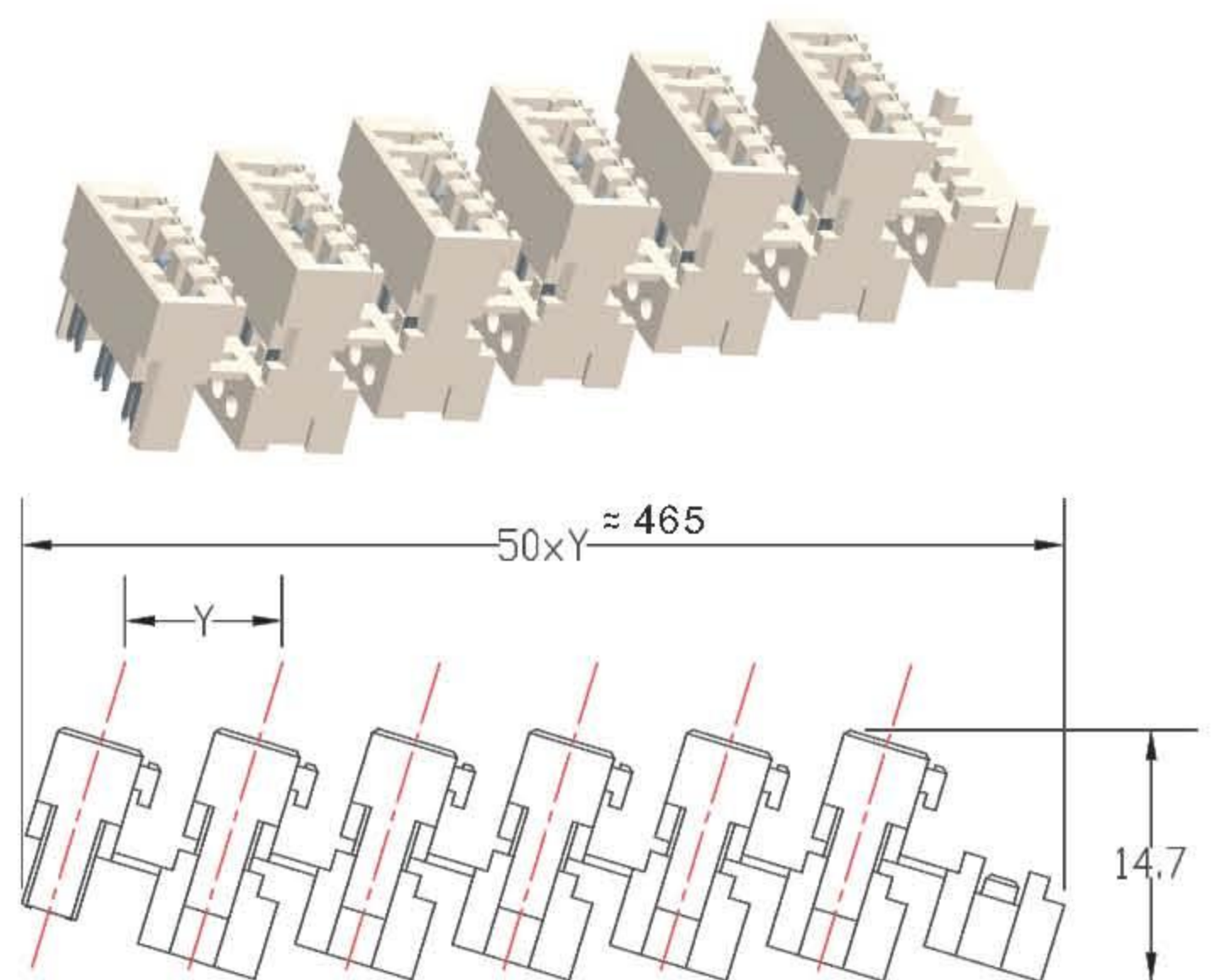
Dimension		
Pos. No.	A	B
3	5.0	10.0
5	10.0	15.0
7	15.0	20.0
9	20.0	25.0
11	25.0	30.0
13	30.0	35.0
15	35.0	40.0
17	40.0	45.0
19	45.0	50.0



SECTION: A-A



PCB Layout



M7285 Part Number Definition

M7285-X-X X-X-X(X)

