

3.00mm(.118") Wire To Wire And Wire To Board Connector



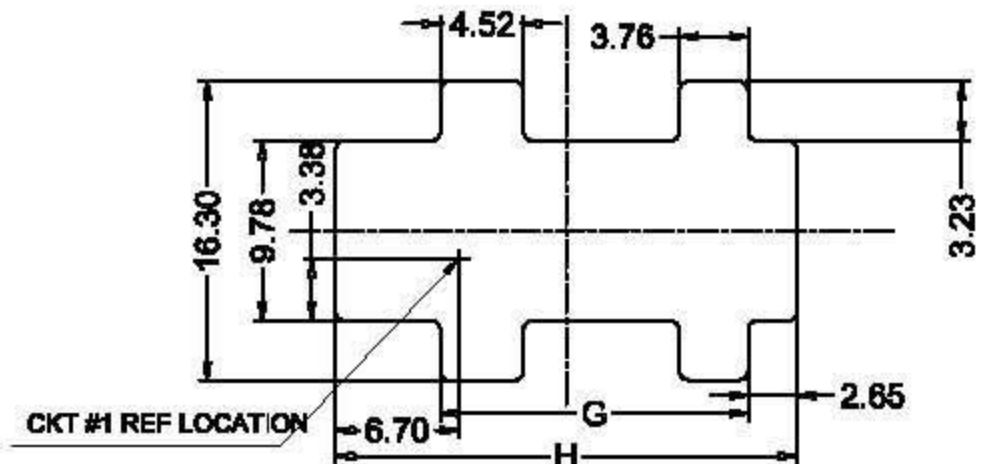
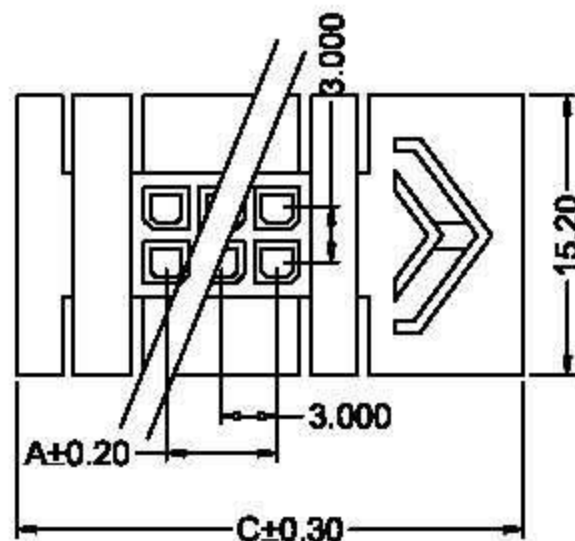
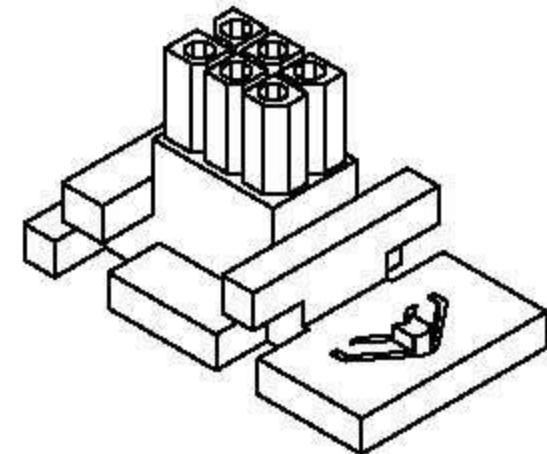
Connector & Terminal

Shenzhen Hongru Connector Co., Ltd

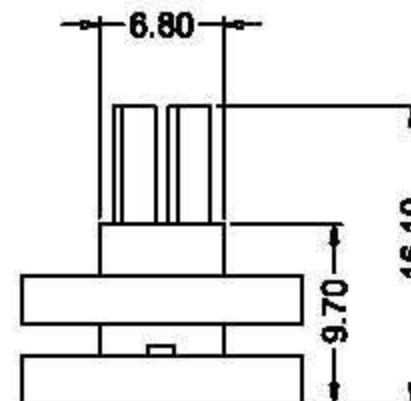
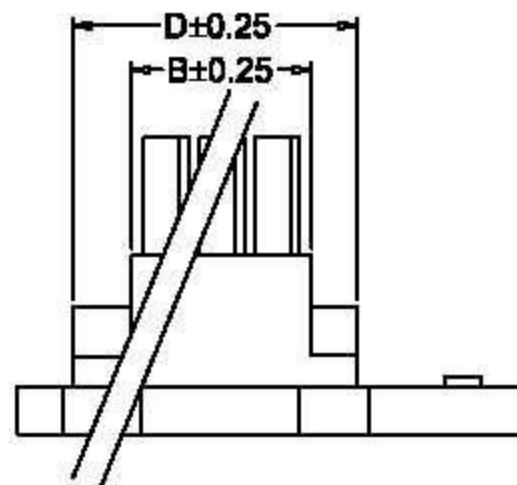
Email: yukyli@hrb-connector.com
 Tel: 86-0755 2709 6669
 Fax: 86-0755 2709 2392
 Skype: haiyuncheng-vivian
 Mobile(whatsapp): 86-186 8112 3590
 Website: http://www.hrb-connector.com

SPECIFICATIONS:

- Current Rating:5AAC,DC
- Voltage Rating:250V AC,DC
- Operating Temperature:-25°C~+85°C
- Contact Resistance:10mΩ max.
- Insulation Resistance:1000MΩ Min.
- Withstanding Voltage:1500V AC/minute
- Material:Nylon66 UL94V-2
- Use With:T3025PS-2
- Terminal In Housing Retention Force Requirement:4.0kg (Min.)



RECOMMENDED PANEL CUT-OUT



Ordering Information And Dimensions

Part NO.		Dimensions					
TYP UL94V-2	Circuits	Dim:A	Dim:B	Dim:C	Dim:D	Dim:G	Dim:H
P3025-2x2-B-H(A)	4	3.00	6.85	24.80	12.60	13.46	22.10
P3025-2x3-B-H(A)	6	6.00	9.85	27.80	15.60	16.46	25.10
P3025-2x4-B-H(A)	8	9.00	12.85	30.80	18.60	19.46	28.10
P3025-2x5-B-H(A)	10	12.00	15.85	33.80	21.60	22.46	31.10
P3025-2x6-B-H(A)	12	15.00	18.85	36.80	24.60	25.46	34.10

