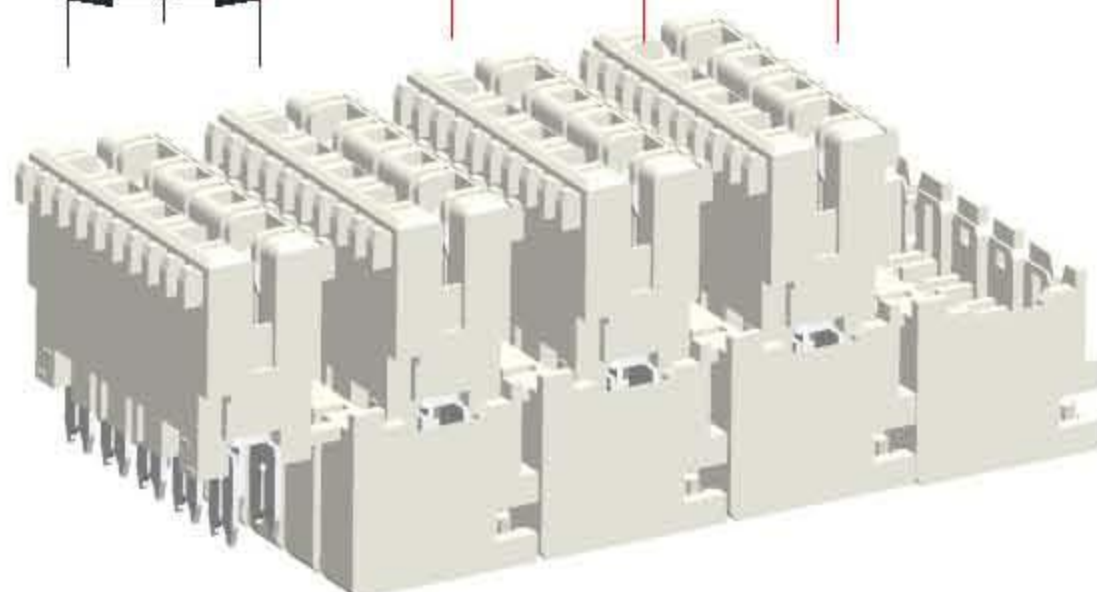
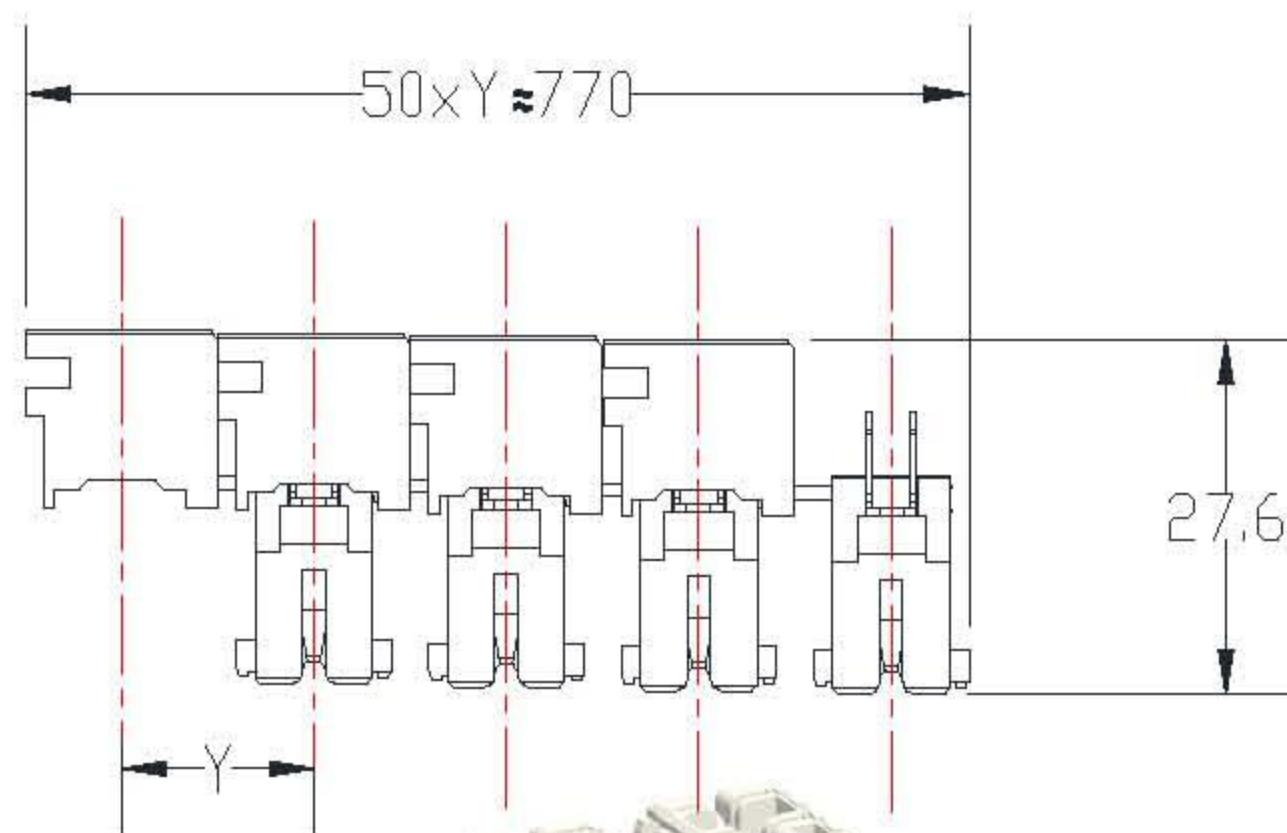
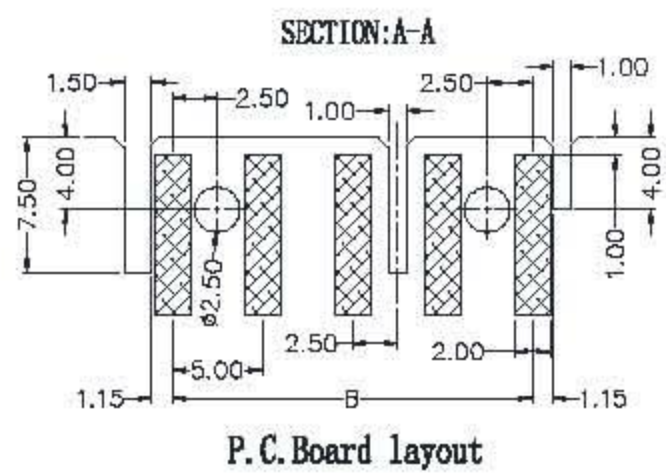
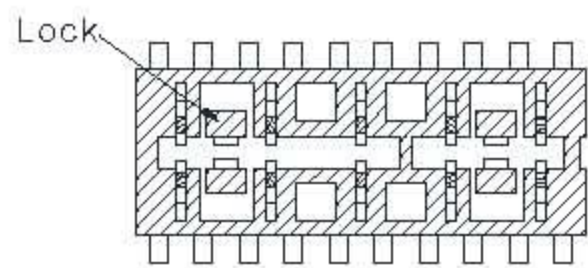
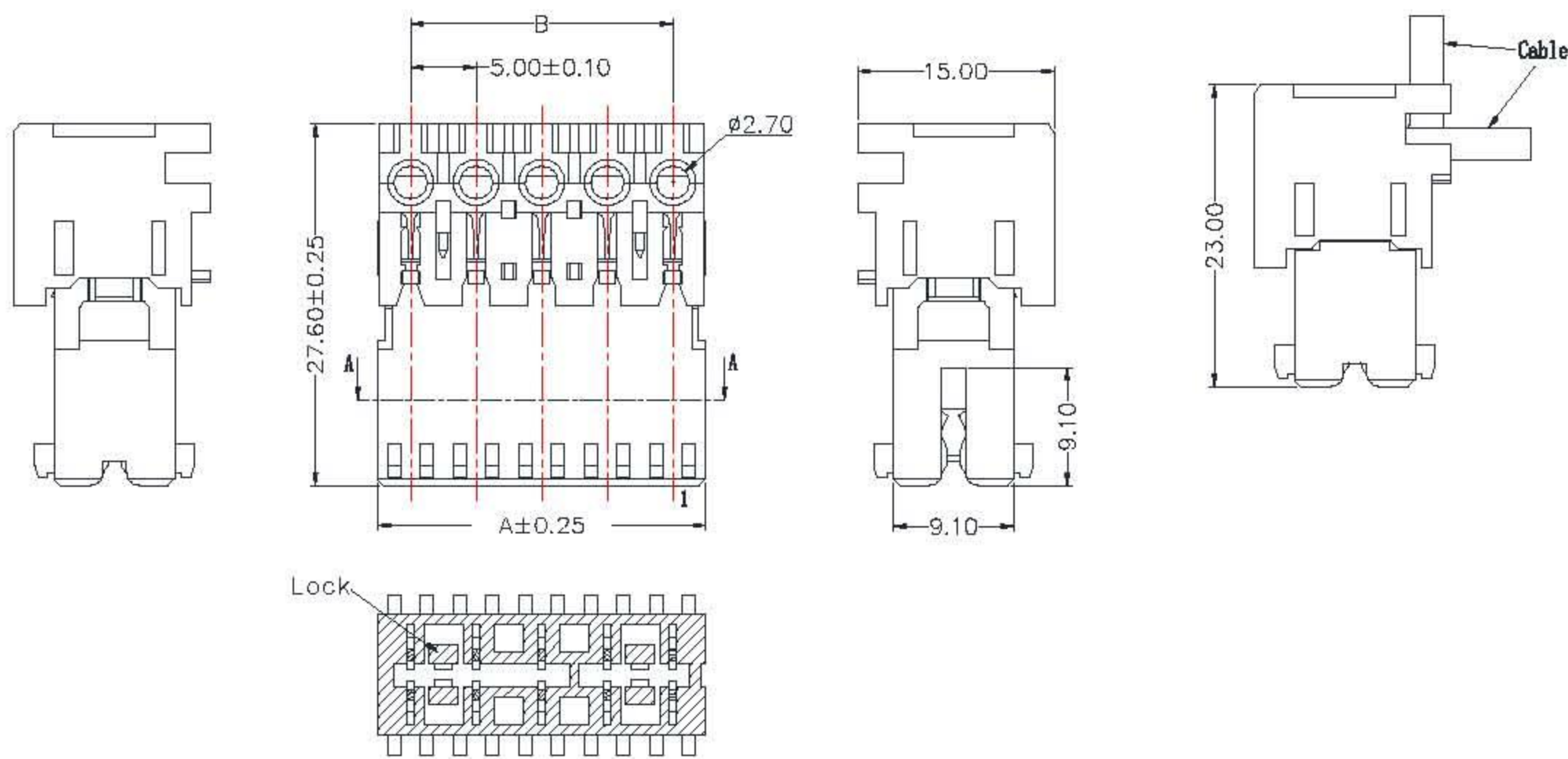
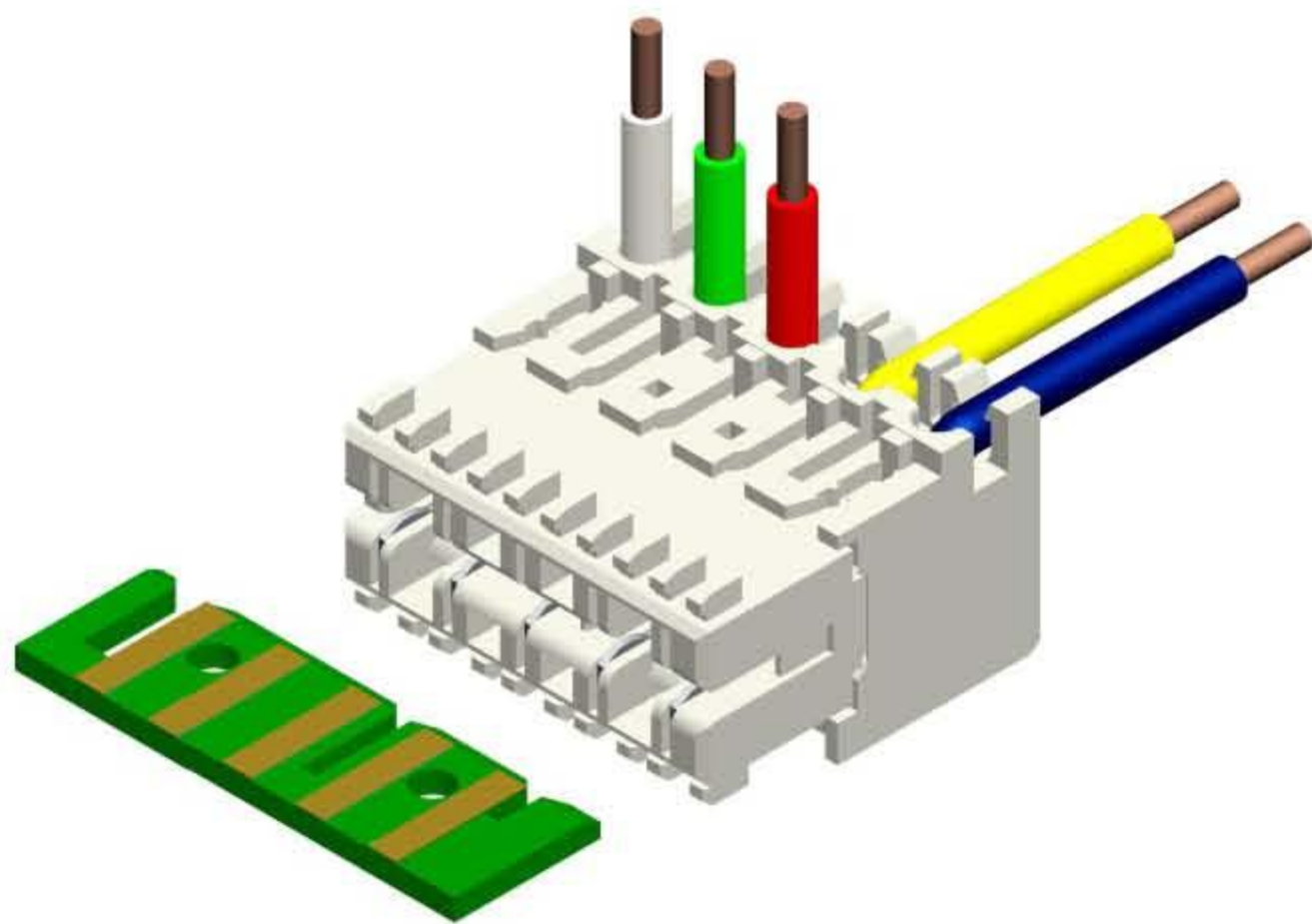




M5004

SPECIFICATION

Current rating: 6AAC, DC
 Voltage rating: 250V AC, DC
 Operating Temperature: -40°C--+120°C
 Contact Resistance: 10mΩ max.
 Insulation resistance: 1000MΩ min.
 Withstanding voltage: 2800V AC/minute
 Material: Housing: Nylon66 UL94V-0
 Terminal: Phosphor bronze, Tin-plated
 silver-plated or selective gold-plated
 Wire range: AWG 20 to 18
 GWT:750°C IEC-60335-1



Circuits	Dimensions	
	Dim:A	Dim:B
2	10.00	5.00
3	15.00	10.00
4	20.00	15.00
5	25.00	20.00
6	30.00	25.00
7	35.00	30.00
8	40.00	35.00
9	45.00	40.00
10	50.00	45.00
11	55.00	50.00
12	60.00	55.00

M5004 Part Number Definition

M5004-X-XX-X-X-X

